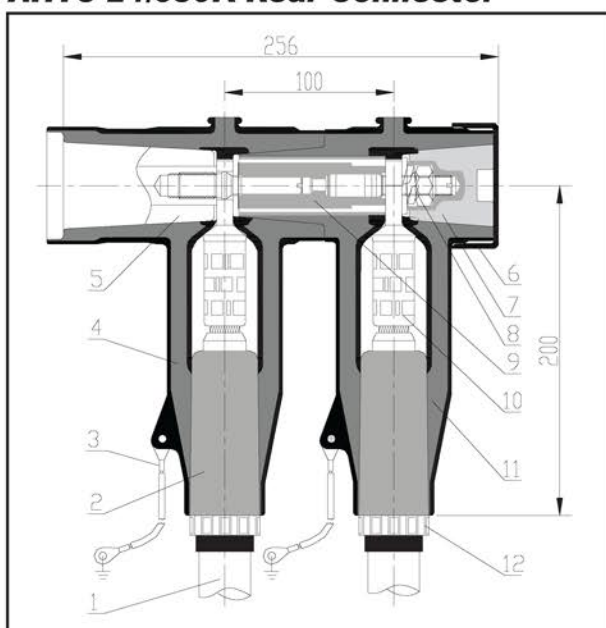


Screened Front and Rear Separable Connectors

**24/36kV, 630A, Interface C,
35-500mm²**



AQT3-24/630K Front Connector
AHT3-24/630K Rear Connector



1. Cable
2. Stress reducing cable adaptor
3. Earth wire
4. Front T connector EPDM body
5. 24kV/630A, type C bushing
6. Conductive screen cover
7. Insulating plug
8. Bolt
9. Copper linking rod
10. Cable lug / connector
11. Rear EPDM connector body
12. Position device

Description



Screened front T and rear connectors are suitable for use on cable branch boxes, ring main units (switchgear) transformers, motors and cable to cable connections.

Features

- Every connector is suitably tested and QC passed prior to dispatch (AC withstand and partial discharge)
- EPDM for increased safety
- Cable adaptor manufactured of stress reducing material to balance the electric field at the cable crossing
- Meet the requirements of standard IEC 60502. KEMA Report No. 70951914-TDT09-72776A
- **All 3 core installations require a suitable Tri-Furcating kit**
- T-body allows for a cost effective upgrade if required, fit rear connector only

Other Accessories

- Torque Shear lugs (centre) - see page 43
- Cable tripping tool (Semicon/XLPE cable)

- Test Probe 
- 400A Installation 



Kit Contents (Front Connector)

Item	Description	Qty
1.	Front Connector Body	3
2.	Insulating Plug	3
3.	Cable Adaptor	3
4.	Screen Cover	3
5.	Bolt	3
6.	Earthing Wire	3
7.	Semi-conductive Tape	1
8.	Abrasive Paper	1
9.	Lubricant	1
10.	Tube Spanner/Fixing Tool	1
11.	Cable Stripping Ruler	1
12.	Dielectric Tissue	9
	Installation Sheet	1
	Certificate of Conformity	1
	Packing list	1
	Factory test record	1



Screened Front and Rear Separable Connectors



Kit Contents (Rear Connector)

Item	Description	Qty
1.	Rear Connector Body	3
2.	Cable Adaptor	3
3.	Linking Rod	3
4.	Bolt	3
5.	Earthing Wire	3
6.	Semi-conductive Tape	1
7.	Abrasive Paper	1
8.	Dielectric Tissue	9
9.	Lubricant	1
10.	Cable Stripping Ruler	1
	Installation Sheet	1
	Certificate of Conformity	1
	Packing list	1
	Factory test record	1

Order Information

Separable Connector		Voltage
Type	Product Code	
T-Front	AQT3-24/630K-Z	24kv
Rear	AHT3-24/630K-Z	24kv
T-Front	AQT3-36/630K-Z	36kv
Rear	AHT3-36/630K-Z	36kv

Substitute "Z" with the number as indicated in the cable adaptor selection chart below, this represents the most suitable cable size and dimensions.

"Z"	Cable Size (mm ²)	Cable Adaptor	
		Range (mm)	ID (mm)
24kv			
35	35	16 - 22	13.5
50/70	50 - 70	19 - 25	16.5
95/120	95 - 120	22 - 28	19.5
150/185	150 - 185	25 - 30	22.5
240	240	27 - 32	24.5
300	300	30 - 35	27.5
36kv			
35/70	35 - 70	24-28	20
95/150	95 - 150	28 - 33	25
185/240	185 - 240	33 - 38	30
300/400	300 - 400	39 - 43	35
500	500	44 - 50	40

Screened Front and Rear Separable Connectors

AHY5WZ - Rear Separable Connector Body C/W Surge Arrester

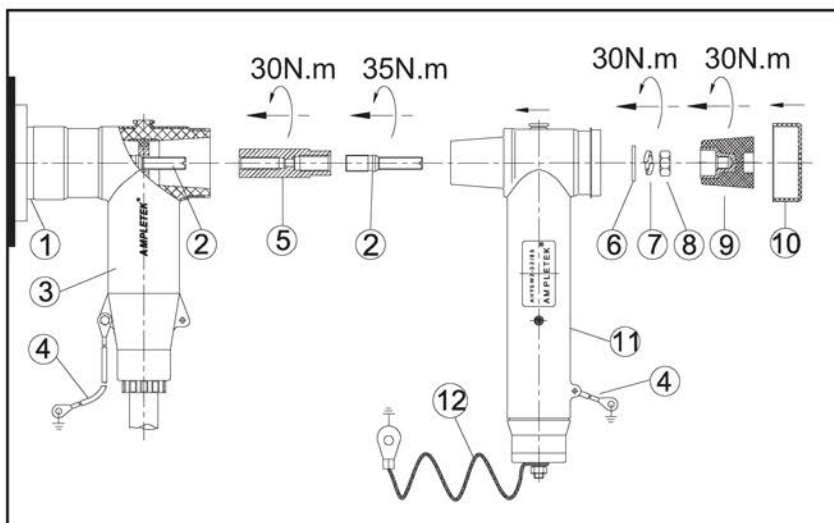


Kit Contents (Rear Connector C/W Surge Arrester)

Item	Description	Qty.
1	Rear Connector Body C/W Surge Arrester	3
2	Linking Rod	3
3	Bolt	3
4	Lubricant	1
5	Dielectric Tissue	4
	Installation Instructions	1
	Certificate of Conformity	1
	Packing List	1
	Factory Test Record	1

Order Information and Technical Data

Description	24kV	36kV
	AHY5WZ-34/90-24	AHY5WZ-51/134-36
System Nominal Voltage (kV rms)	20	40.5
Rated Voltage (kV)	34	51
Continuous Operation Voltage (kV)	27.2	40.8
5kA Lightning Impulse Current Residual Voltage (kV)	≤ 90	≤ 134
At D.C 1mA Voltage U _{1mA} (kV)	≥ 48	≥ 73
Leaking Current at D.C. 0.75 U _{1mA} (μA)	≤ 50	≤ 50
2ms Rectangular Current Withstand (A)	150	400
A.C. Withstand Voltage Test for EPDM Housing (5min) (kV)	54	81



1. Bushing
2. Bolt
3. Front T-Connector Body
4. Earth Wire
5. Copper Linking Rod
6. Flat Ring Washer
7. Spring Washer
8. Nut
9. Insulation Plug
10. Conductive Screen Cover
11. Rear Connector Body
12. Tinned Soft Wire