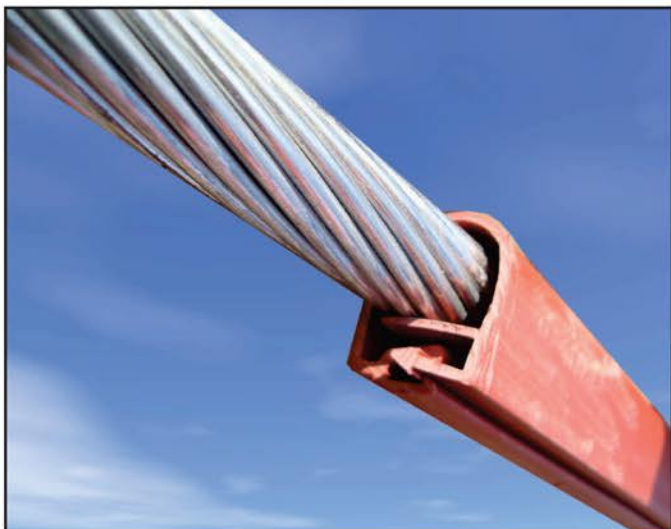


# Overhead Line Insulation Sleeve

## AOPS



## Description

AOPS has been designed to provide reliable insulation and protection on bare overhead line systems preventing electrical outages caused by accidental contact from trees, animals and other objects. Outages may also occur in windy conditions between power lines and when these lines are close to steel structures.

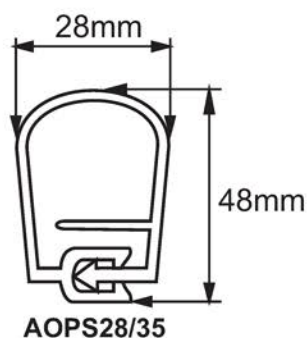
## Features

- Suitable for voltage up to 35kV
- Prevent tapping by hooking and other means
- Excellent UV and abrasion resistance properties resulting in outstanding resistance to weathering (harsh environments)
- Erosion and tracking resistant
- Quick and easy installation
- Installation on live installation by means of specially designed tools
- Red mastic sealant available for improved performance
- Colours - red / yellow / green / black

## Technical Data

Properties	Test Methods	Typical Values
Tensile strength (MPa)	GB/T 1040-92	≥ 10
Elongation at break (%)	GB/T 1040-92	≥ 500
Dielectric strength (kV/mm)	GB/T 1408-89	≥ 20
Volume resistance (Ω.cm)	GB/T 1410-2006	≥ 1 × 10 <sup>13</sup>
Dielectric constant	GB/T 1409-2006	≤ 3.0
Flammability (O <sub>i</sub> )	GB/T 2406-1993	≥ 27
Microtherm flexibility (-40°C, 4hrs)	ASTM D 2671	No Cracking
Water absorption (%)	GB/T 1034-98	≤ 0.5

## Dimensions



AOPST1 - Application Tool

Product	Sleeve Size (Ø)	Voltage Rating (kV)	Conductor Size (mm <sup>2</sup> )	Max Conductor OD (mm)	Standard Length (m)
AOPS14/35	14	1 - 35	≤ 70	12	20
AOPS18/35	18	1 - 35	95	18	20
AOPS20/35	20	1 - 35	120-150	22	20
AOPS28/35	28	1 - 35	185-240	30	20
AOPS38/35	38	1 - 35	≥ 300	38	20